

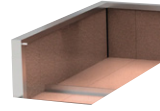
**FREESTANDING CHARCOAL GRILL**

**Main features:**



**Lifting Hooks**

It helps you to regulate the height of the grill in 2 preset positions



**Fire bricks**

Help distribute heat uniformly and extend the life of the grill.



**Firebox "brasero"**

Lights up charcoal quicker.



**Stainless Steel shovel & coal rake.**

Helps to manipulate and distribute charcoal

**Accessories sold separately:**



**Interchangeable griddle.**



**Height adjustable secondary grate**



**Griddle above brazier.**



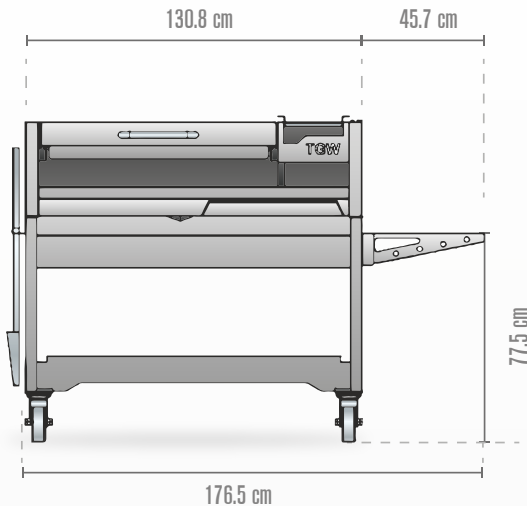
**Side table.**

**Specifications:**

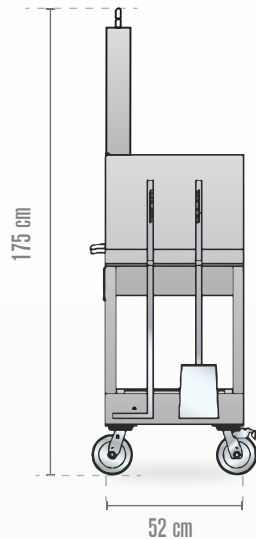
Main grilling area	82 x 44 cm	Weight kg	148.8	Minimum grate elevation	11.43 cm
2ry grilling area *Optional	21.6 x 47cm	Dimensions cm (closed lid)	120.6Hx176.5Wx52D	Side table *Optional	Attached
<b>Total grilling area w/2ry</b>	<b>1812.3 sq. cm</b>	Dimensions cm (open lid)	175Hx176.5Wx52D	Swivel casters	Yes (2 with brake)
<b>T. grilling area wo/2ry</b>	<b>1413 sq. cm</b>	Secondary grate material	Stainless steel 304	Bottle opener	Yes
Main body material	Cold rolled steel	Griddle material	Stainless steel 304	Limited warranty	3 year
Grates material	Stainless steel 304	Maximum grate elevation	16.5 cm		

**Measurements:**

**Front view**



**Side view (open lid)**



**Side view (close lid)**

